

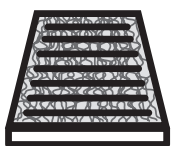


SUPREME

with anti-allergen properties



701005
FH 2005



PCA

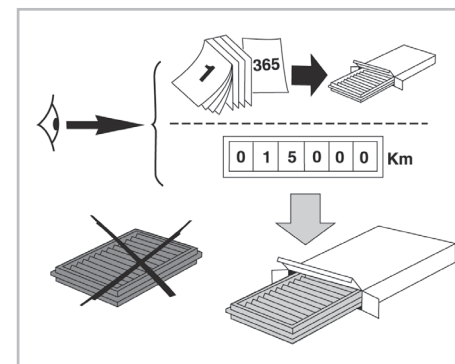
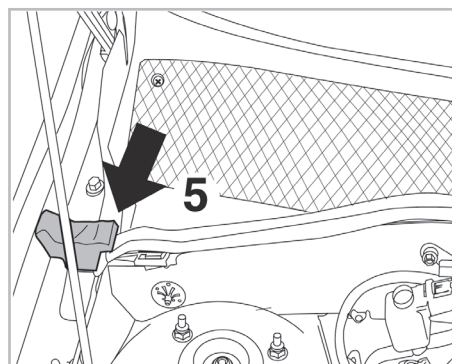
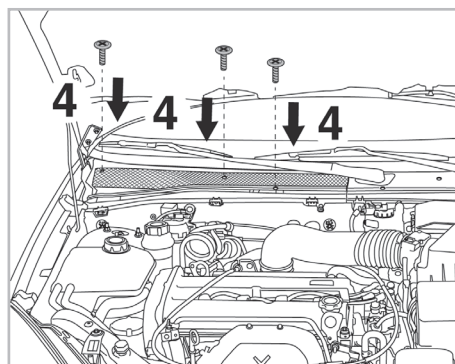
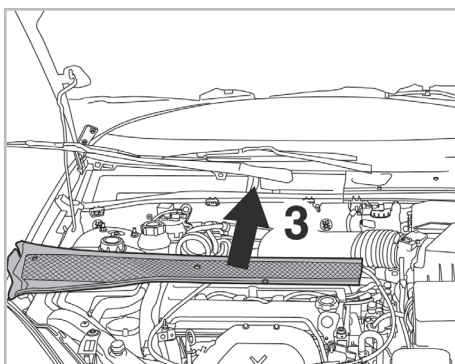
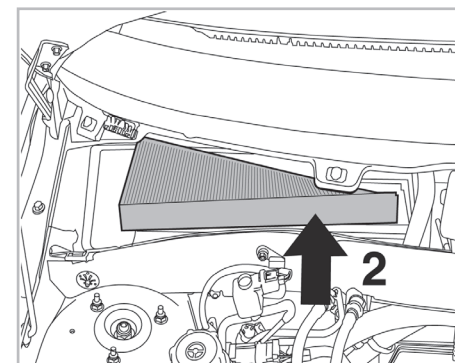
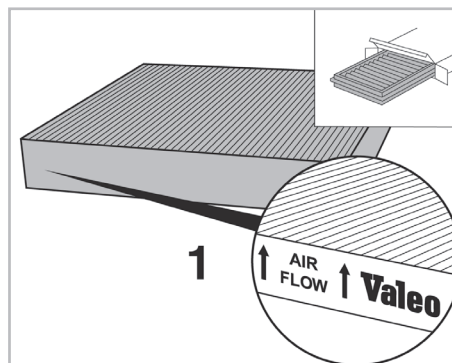
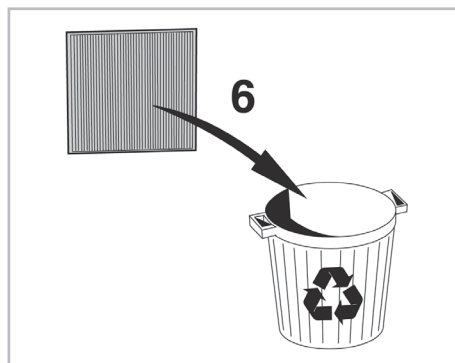
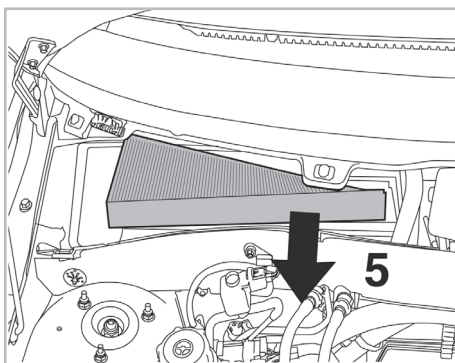
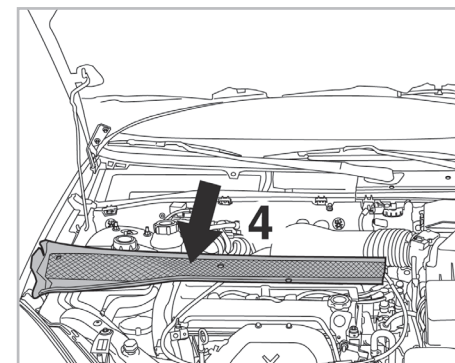
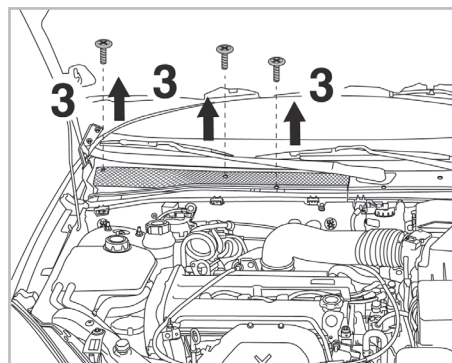
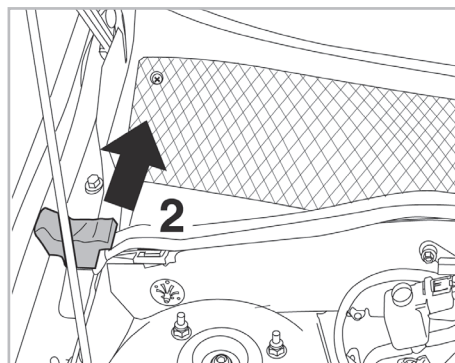
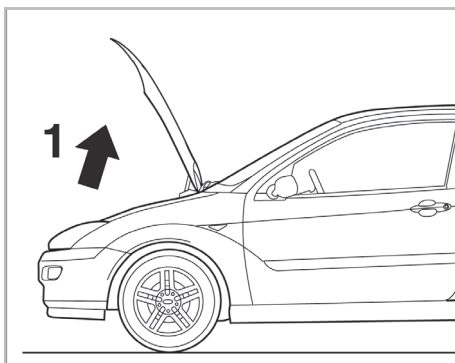
WANT TO KNOW MORE?



www.valeo-techassist.com

FOR
FORD

FOCUS A/C+ (10/98 > 09/04) / TURNEO CONNECT A/C+ (05/02 >) / TRANSIT CONNECT A/C- (05/02 >)



Valeo Service - Société par Actions simplifiée - Capital de 12 900 000 € - 70, rue Ployel, 93285 Saint-Denis Cedex - France - B 306 486 408 RCS Bobigny